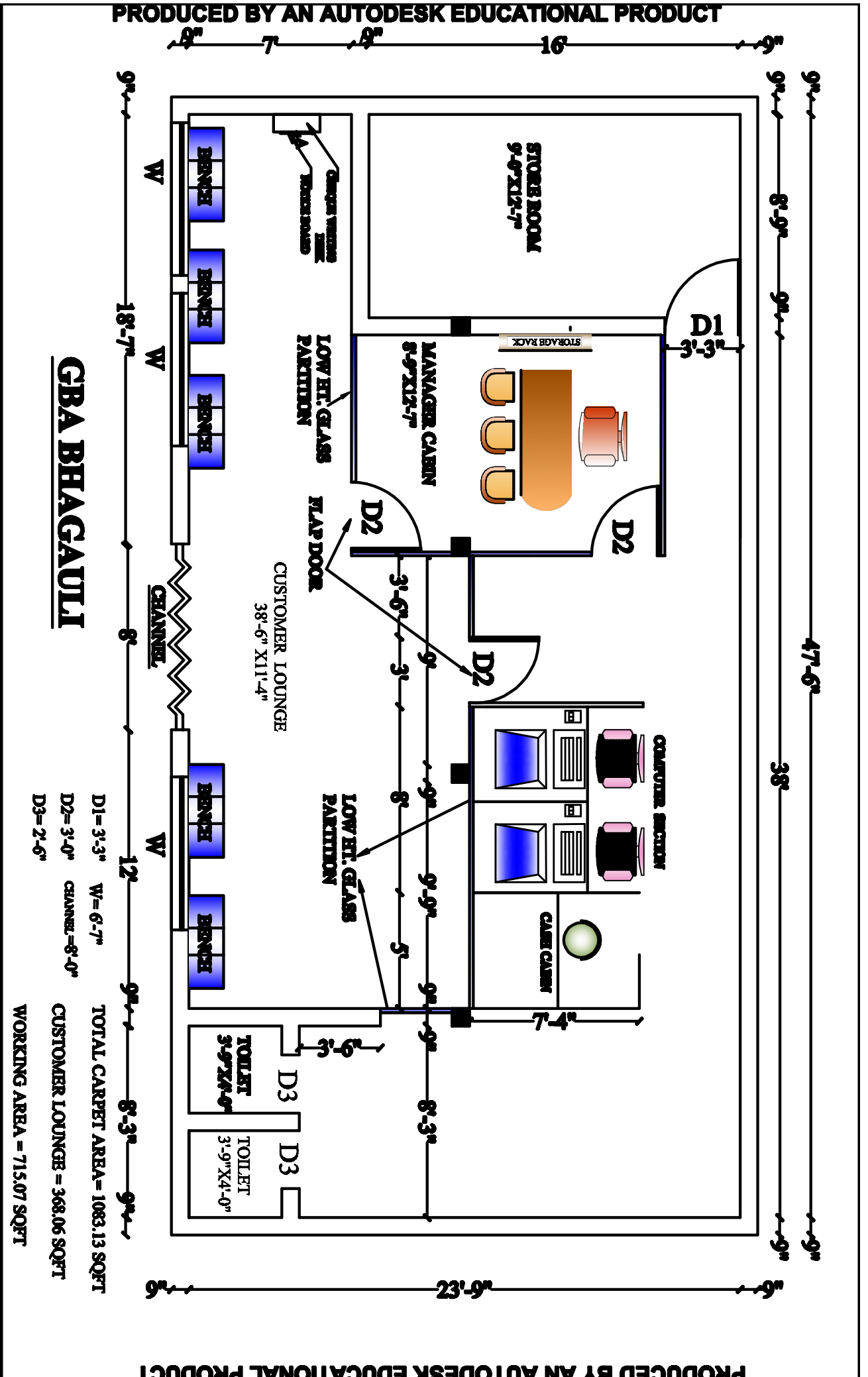


Quotation of Interior Furnishing of Bhagauli Branch of Lko Region

S.no	Description of Item	NO.	Qty	Unit	Rate	Amount
1	Cash Cabin partition made of both side 6.00 mm commercial ply on pine wood frame section , 50 X 35 mm and 1.00 mm mica, aluminum grill partition on the side and mica laminated aluminum grill door, top of case cabin covered by aluminum grill with 19.00 mm borad with sunmica pasted border , size of cash cabin 5ft X 7 ft X 8.0 ft (width , length & height respectively)	1	260	Sq.ft		
2	Bank counter of approved design for cashier made of 19.00 mm commercial block board and sunmica 1.00 mm thick of approved brand and colour on front customer top and writing desk. Height of counter from customer side 114 cm (45"). Width of writing desk 75 cm. (30") with provision of cupboard after every 1.20 mts made of 19.00 mm block board with 1.0 mm sunmica pasted innerr side drawers and cupboards be well painted in matching colour (with asian paint) and teakwood beading complete with good quality polish having clear and smooth finish . all multipurpose godrej locks & brown powder coated metallic 75 mm handles.	1	5	RFT		
3	Computer counter made of 19.00 mm block board with table top at the height 75 cm and 80 cm wide sunmica 1.0 mm on top and cupboard and sliding key board with provision of fixing of glass in front. Including all locks & handles as stated above.	1	12	RFT		
4	12 MM plain glass with rounded edges with etching as per the requirement of bank for computer counter (Height: 60 cms) (With teak wood frame 70 cm).	1	18	Sq.ft		
5	Low Height Partition made of both sides 6.00 mm commercial ply laminated with 1.0 mm sunmica on Cheed Wood frame section 50.00 mmx30.00 mm with glass of 12 mm and door made of 100 x 25 Pine wood frame and ply and mica including all locks, handles & bolt, quality polish etc.	1	196	Sq.ft		
6	Counter side partition made of 19.00 mm BB& 1.00 mm mica on both sides of approved colour including all locks handles & bolt etc.	1	16	Sq.ft		
7	Column/ wall Paneling with 19.00 mm board and 1.00 mm mica	1	135	Sq.ft		
8	Table for Manager size 150x75x75 cm (5.00 X 2.50 x2 .50) with sunmica top having CPU Stand on one side and one drawer and one cupboard on the other side made of 19.00 mm board with 1.0 mm sunmica pasted on all sides, lock on all drawers and all cupboards. Footrest with table, teak wood beading well polished with clear polish , including ali locks and handles.		1	No		
9	Officer Table made of 19.00 mm board with sunmica 1.0 mm both sides and front size 135x75x75 (4.5x2.5x2.5) with Cpu stand on one side and one cupboard and one drawers on the other with lock on all drawers and all cupboards. Teak wood beading well polished with clear polish		1	No		
10	Computer Operator Chair with arms, revolving and P.U. base with twin wheel, casters, with moulded foam seat and back upholstered in good quality cloth.		3	No		
11	Manager chair, high back revolving and tilting with moulded foam seat and back with P.U. arms and P.U. base, with twin wheel casters upholstered in good quality cloth. Sample chair can be seen at head office.		1	No		
12	office chair,Medium back revolving with moulded foam seat with P.U. arms and P.U. base, with twin wheel casters		1	No		

	upholstered in good quality cloth. Sample chair can be seen at head office.				
13	Visitor Chair-without Arms on M.S. pipe base with moulded foam.	6	No		
14	Supply and fixing of cash cabin lock Godrej make 7 levers Self-locking latch.	1	No		
15	Bench , box type made of 19mm board with mica pasted on top and sides, size of bench 18 inch X 60 inch X 18 inch having two segments in box.	4	No		
16	Notice board made of 19.00 mm board laminated with 1.00 mm mica of approved colour , base with 12.00 mm soft board on 6.00 mm board base, covered by good quality cherry colour cloth with sliding 5 mm glass doors, size of notice board 6" X 36" X 36" .	1	No		
17	Cheque writing desk made of 19.00mm block board with sunmica on side and 12.00 mm glass top with 3 segments in the box, size 48" X 12" X 12" , to be property fixed on wall.	1	No		
18	Suggestion Box made of 19.00 mm board with Size = 15" X 12" Laminated with mica on top, glass in front including godrej lock & handle.	1	No		
19	Cheque Drop Box Size =15" X 12" Laminated with mica on top including godrej lock & brass handle. Glass in front	1	No		
20	Cupboard for manager and officer size 4'x1'-6"x2'-6" (120x45x75) with sunmica having 3 drawers & cupboard made of 19.00 mm board with 1.00 mm sunmica pasted on all outer sides & locks on all Drawers & all cupboards.	2	No		
21	Aluminum entrance door with partition made of aluminum section of hindalco / jindal, 63 mm X 38mm and 1.5 mm thick with 5.00mm thick glass with doors made of door section side 47mm X 44 mm and door bottom 114mm X 44 mm, top and middle section of 83 mm X 44 mm , with 5 mm glass complete with lock , door closers. Tower bolts and handles etc.	110	Sq.ft		
	<u>Total</u>				



Note:- All Quantities / Measurements are subject to final measurement on site in the presence of Architect/Engineer/ Bank official and are subjected to variation up to 10% to 20%.			
TERMS AND CONDITIONS			
A	All Board, ply etc. to be used should of proper thickness (as detailed above) free from defects of warping uneven surface I.S.I. approved commercial grade board of 'Corbett', 'Sonear', and Green ply 'Century Ply' brands only.		
B	Sunmica to be used should be of HERITAGE / SAMARAT / OPTUS brand of 1.00 mm thickness of Bank's approved colour. The colour shades are detailed below.		
	S.no	Brand	Shade Numbers
	1	Heritage	7154 and 7154
	4	Samrat	657 and 744
C	Before installation of material at site it should be inspected and approved by an Architect/ authorized by the Bank to ensure use of proper material. Use of non-approved brand of mica, board is strictly prohibited and fixing of material before proper inspection should be avoided. Material installed without proper inspection may be totally rejected.		
D	Rate quoted must be F.O.R. i.e. at branches; bank will not pay any transportation, packing, loading, and unloading charges.		
E	Metal Runners to be used for drawers.		
F	Beadings are required on top of every drawer & cupboards.		
G	CPU Stands are included on every cash cabin, counter, Table, cable, manager of good quality with chain & foot rests are required with all tables & counters.		
H	The work if awarded is required to be completed in given time, delay will attract penalty @5.00%for 15 days block or part there of.		
I	The clear polishing work is required to be of good quality, before polishing proper denting & smoothening should be done.		
J	The drawing of interior work of the branch is enclosed herewith.		
K	The furnishing work will be checked and verified by the architect / chief manager (A& S) / Regional manager or their representative.		
L	In case of any clarification / difficulty , you may contact bank's architect or officer A &B Department.		
List Approved Material			
S.no	Material	Approved Brand / Make	
1	Commercial Board / ply urea bonded	Corbett Donear, Green ply Archid , century ply, brands only.	
2	Laminate	Heritage / samrat , optus of 1.00 mm	
3	Screw (oxidized)	Gkw/ Nettle fold	
4	Hardware	ISI marked	
5	Adhesive	Fevicol SH	
6	Door closure / Floor spring	Hyper / Everite / Amar	
7	Locks	Godrej	
8	Glass	Modi, Float glass, saint Gobain	
9	paints	Nerolac, Berger, Asian , Dulux	
10	Aluminum door and window section	Jindal , Hindalco and MK	
11	Vertical blinds	Vista	
12	Soft board	Cellotex	